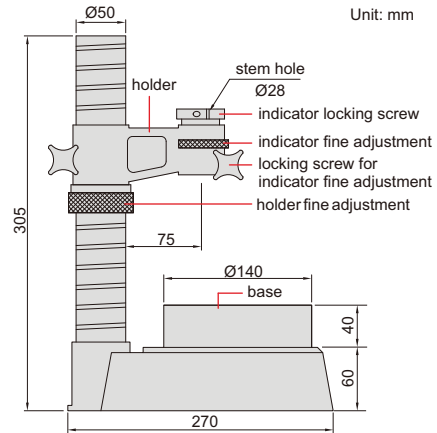


DIAL INDICATOR STAND

GAGE BLOCKS ARE NEEDED FOR ZERO SETTING



digital/dial indicator is optional



6842-150



locating fork for workpiece (included)



rotary lever probe (included)



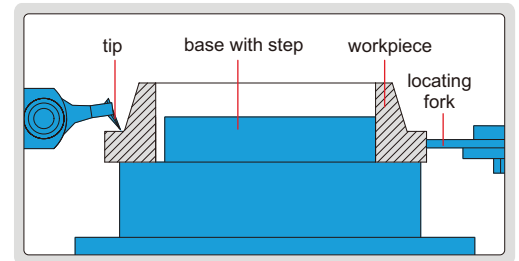
base with step (included)



- Vertical travel of holder: 180mm
- Holder fine adjustment range: entire stroke
- Indicator fine adjustment range: 10mm
- Optional accessory: Ø28mm/Ø8mm bush (code 6843-B8), 0.001mm digital/dial indicators, high precision digital indicators (code 2140-6, 2140-6WL), gage blocks (4101 series, for zero setting)

Code	Applicable holding stem	Base
6842-150	Ø28mm	flatness 2µm

the tip of rotary lever probe can reach narrow areas



Ø28mm/Ø8mm bush (optional)



Code
6843-B8

application

